

Coffee System
Side milk refrigerator for up to 9
liter milk containers for TANGO ST

ITEM # _____

MODEL # _____

NAME # _____

SIS # _____

AIA # _____



871024 (FST9)

Side milk refrigerator for up
to 9 liter milk containers for
TANGO ST

Main Features

- Additional Tango® ST Fridge milk refrigerator with a removable 9 liter milk container and a built-in cooling unit that consistently maintains cold milk temperatures.
- Supply, heating and foaming of fresh milk for creating delicious hot or cold drinks with milk or frothed milk.
- Efficient insulation all around.

Construction

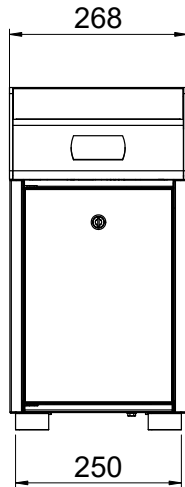
- The design of the milk refrigerator is in line with the Tango® SOLO ST, 1 group full-automatic and Tango® DUO ST, 2 group full-automatic.
- Internally rounded corners for easy cleaning.
- Built-in cooling unit.
- Digital display to set temperature, control self-defrosting, milk level warning.
- Cup tray on top provides large storage.

Optional Accessories

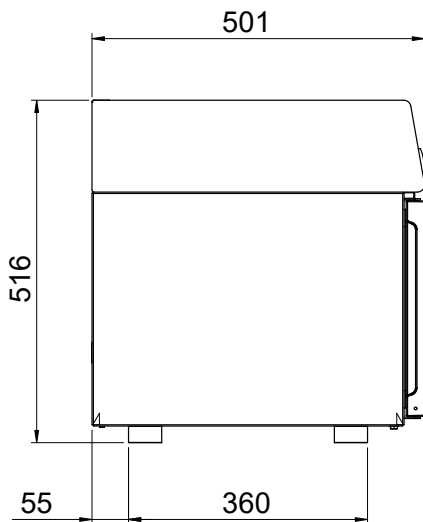
- Raised feet kit PNC 871041

APPROVAL: _____

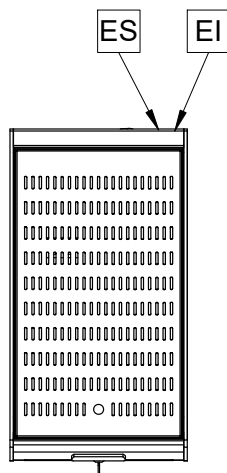
Front



Side



Top



Electric

Supply voltage:

871024 (FST9) 220-240 V/1N ph/50 Hz

Electrical power max.:

0.082 kW

Stekker type

Kabel zonder stekker

Key Information:

External dimensions, Width: 267 mm

External dimensions, Depth: 500 mm

External dimensions, Height: 515 mm

Net weight: 25 kg

Sustainability

Current consumption: 0.5 Amps

Refrigerant type: R600a